



PRODUCTS FOR BATTERY

Joining Technology for Sealing Components of Battery Cell

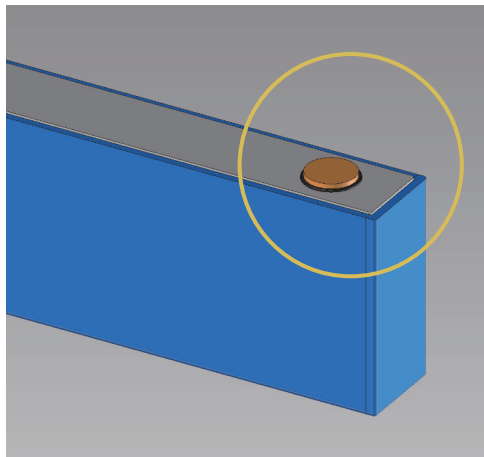
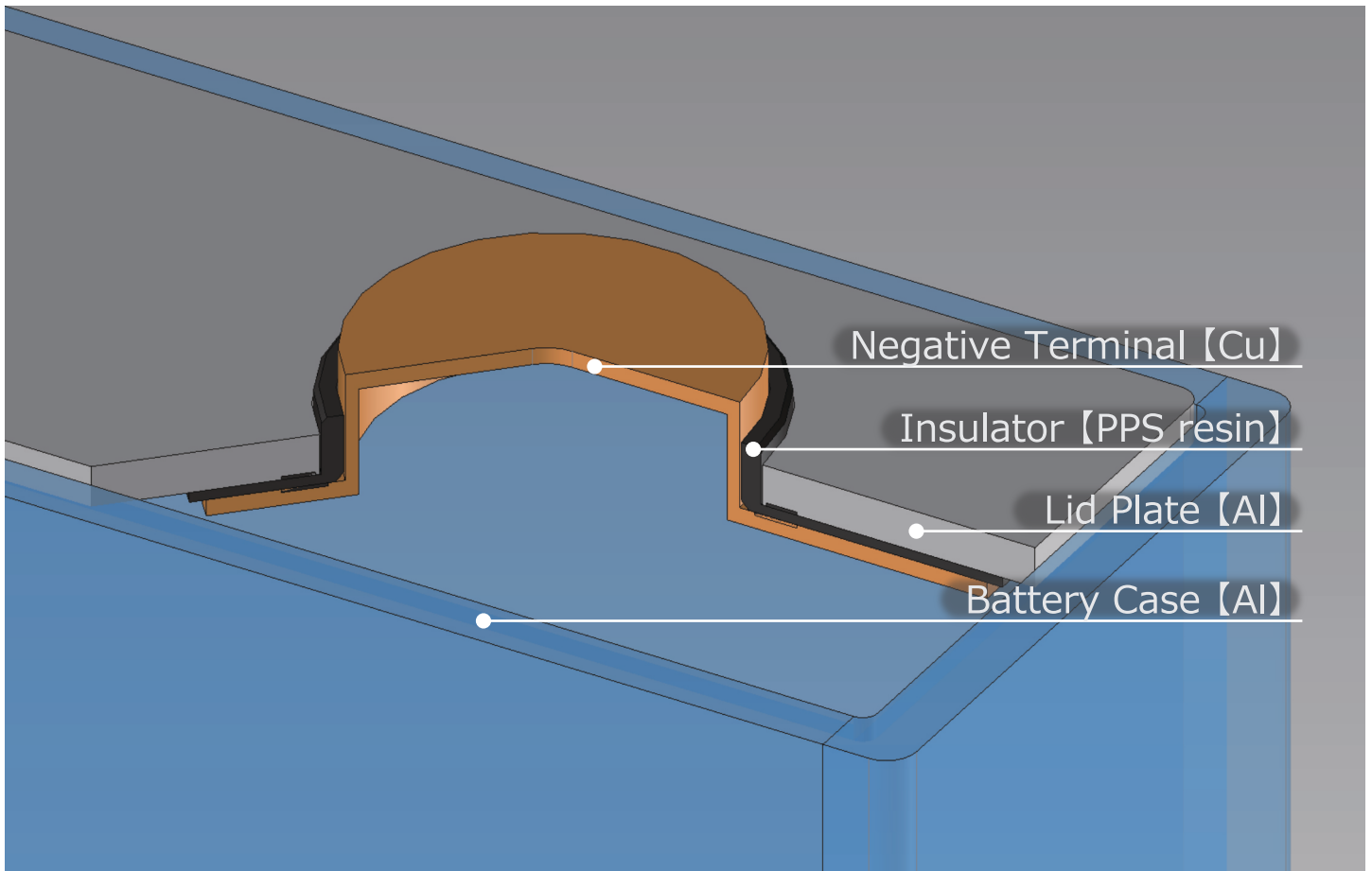


Product Description

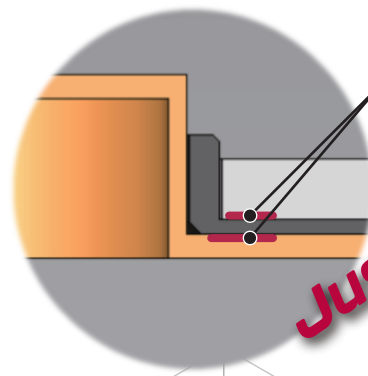
ALTIM (Advanced Laser Treatment and Induction Heat Method) - A new joining technology for metal and resin components for sealing battery cell.

Features

- » Number of Parts 40 % less
- » Use of Fluorine Zero
- » Sealing Safety No leak



We can supply new structure lid of Li-ion Battery by ALTIM technology.



sealing by **ALTIM**[®]

Just 3 Step

- ① Laser
- ② Heat
- ③ Press

For more information please reach out to mobility@nagase.eu

NAGASE (EUROPA) GmbH

Werdener Strasse 4, 40227 Düsseldorf, Germany, Tel: +49 (0)211 866200